

10-32 X 5/8 Flat Head Screw

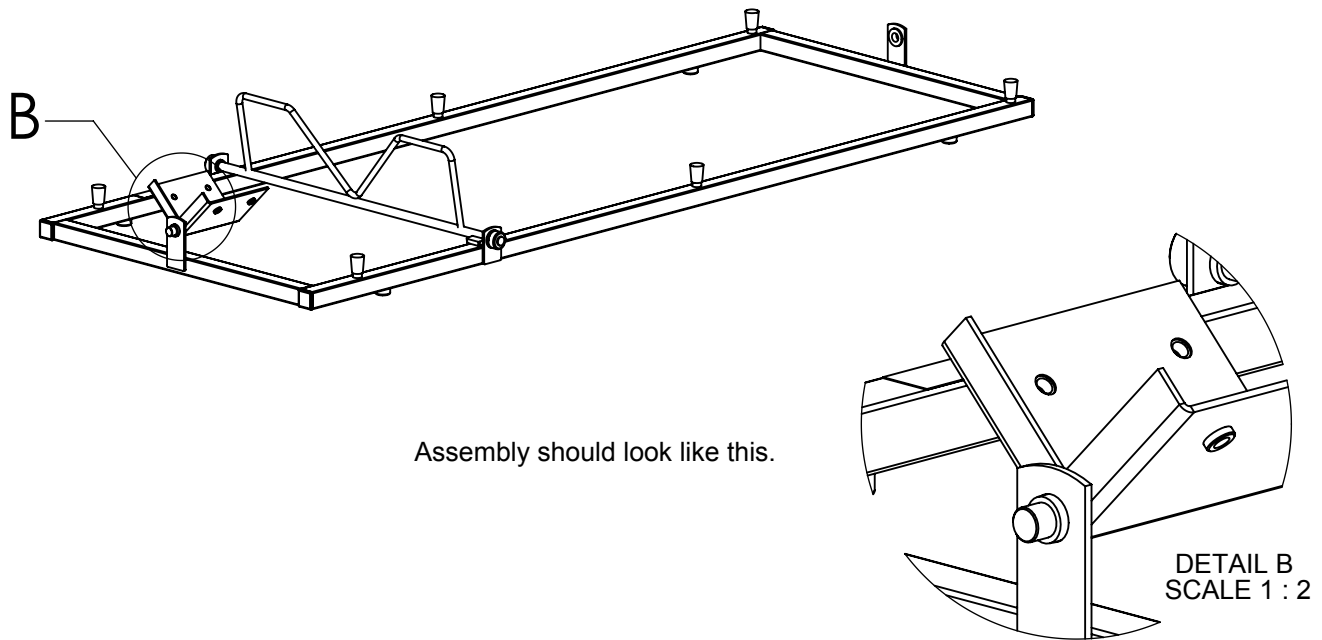
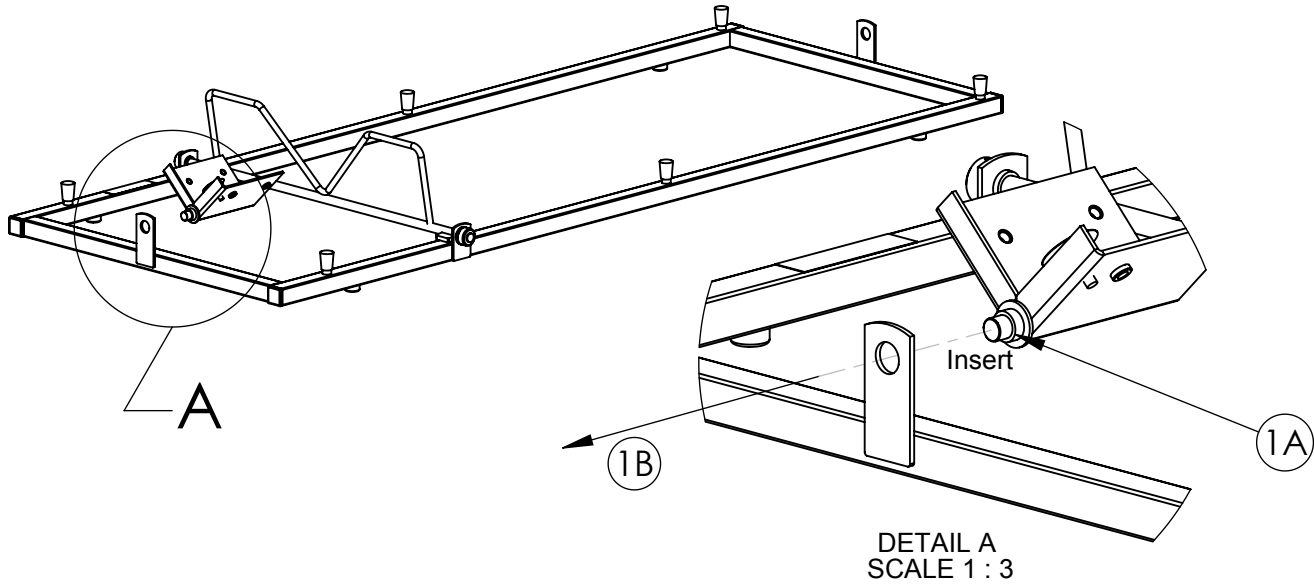


Screw Cover Label

Item	No Req'd	
Frame Assembly	1	
Pivot Bracket Assy	1	
Tip Bed Assy	1	
10-32 X5/8 Flat Head Screw	4	1 spare
Screw Cover Label	4	2 spares

Tools required : No 2 phillips screwdriver (not supplied).

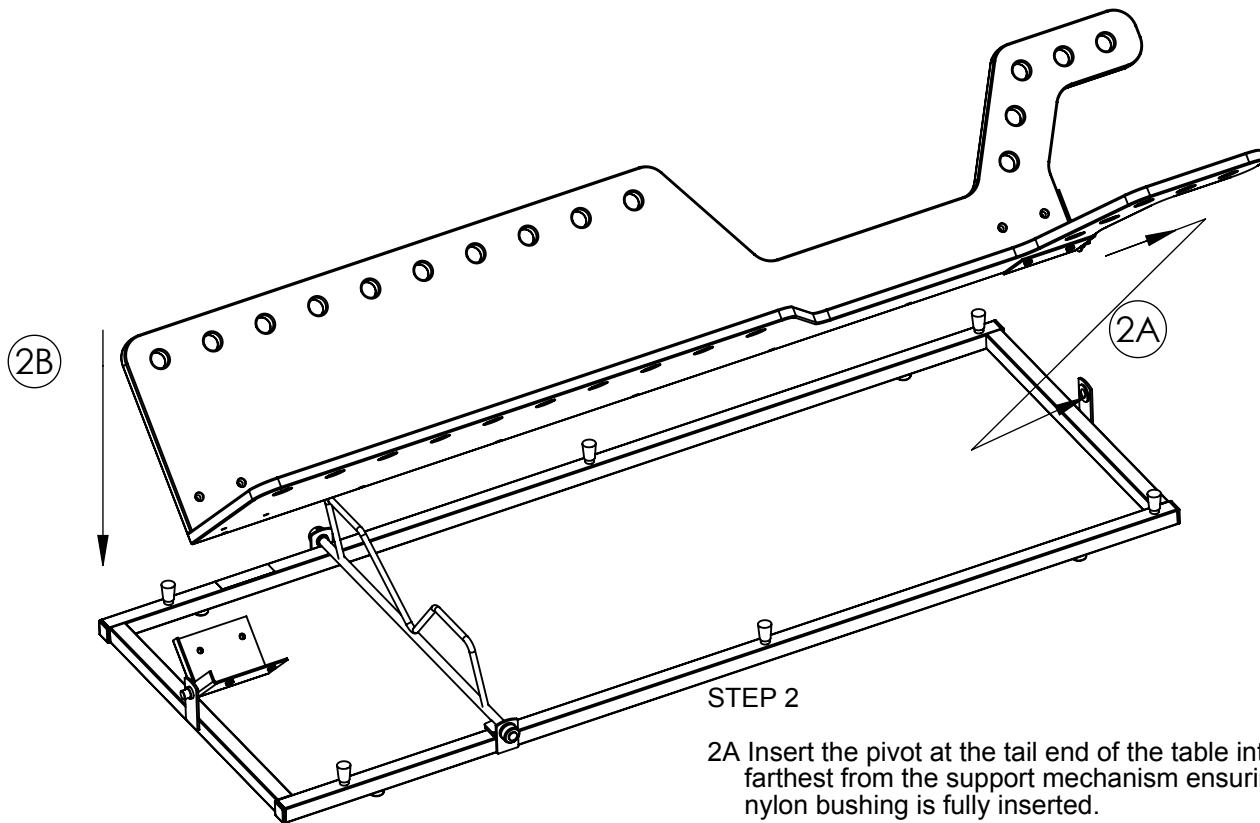
## TIPPY TABLE ASSEMBLY INSTRUCTIONS



**STEP 1**

- 1A Ensure the nylon bushing is seated on the pivot pin.
- 1B Insert the bracket into the tab as shown, seat the nylon bushing fully into the hole.

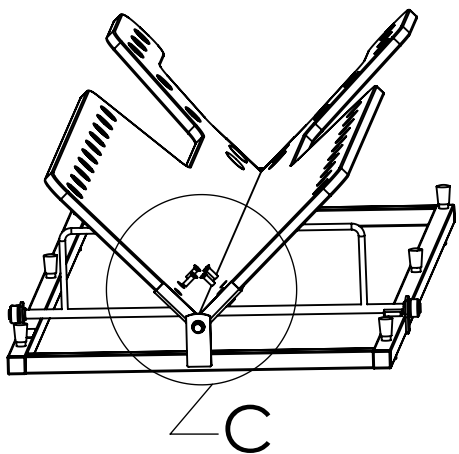
**TIPPY TABLE ASSEMBLY INSTRUCTIONS**



STEP 2

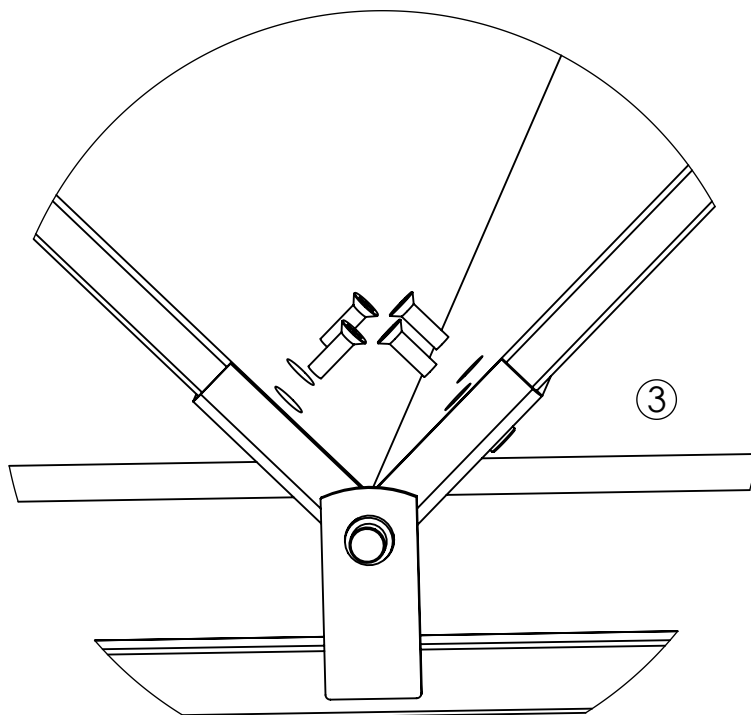
2A Insert the pivot at the tail end of the table into the tab farthest from the support mechanism ensuring that the nylon bushing is fully inserted.

2B Rotate the head end down into the bracket installed in step 1.



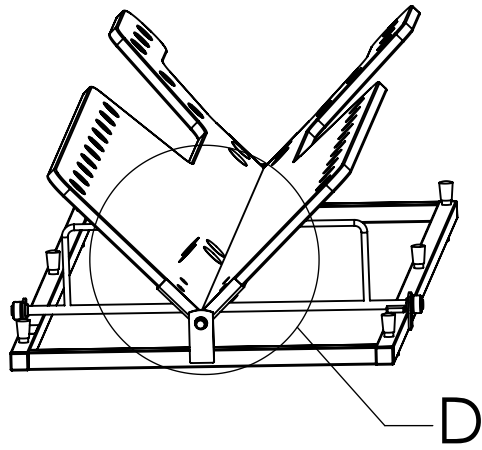
STEP 3

With the tip bed resting on the pivot bracket, locate and install the four (4) #10 flat head screws, securing the tip bed to the bracket.

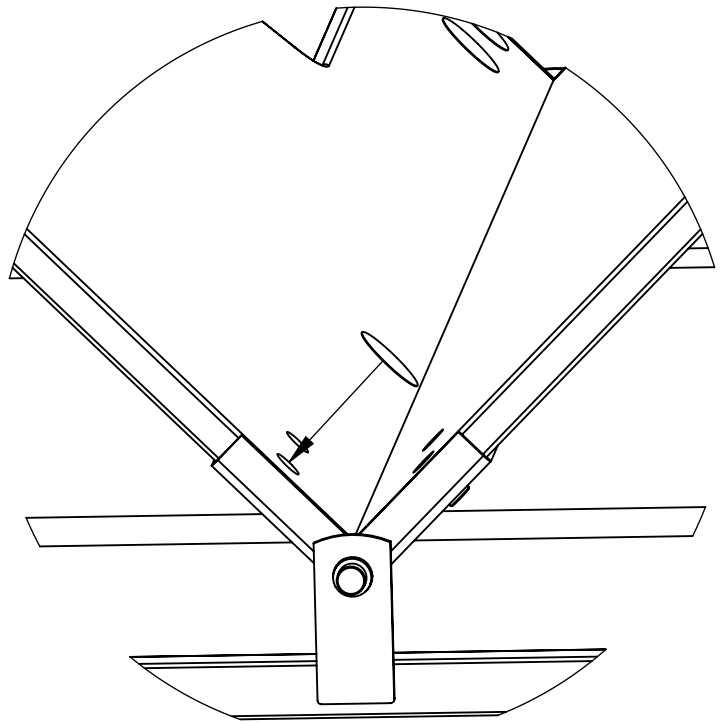


DETAIL C  
SCALE 1 : 2

## TIPPY TABLE ASSEMBLY INSTRUCTIONS



4

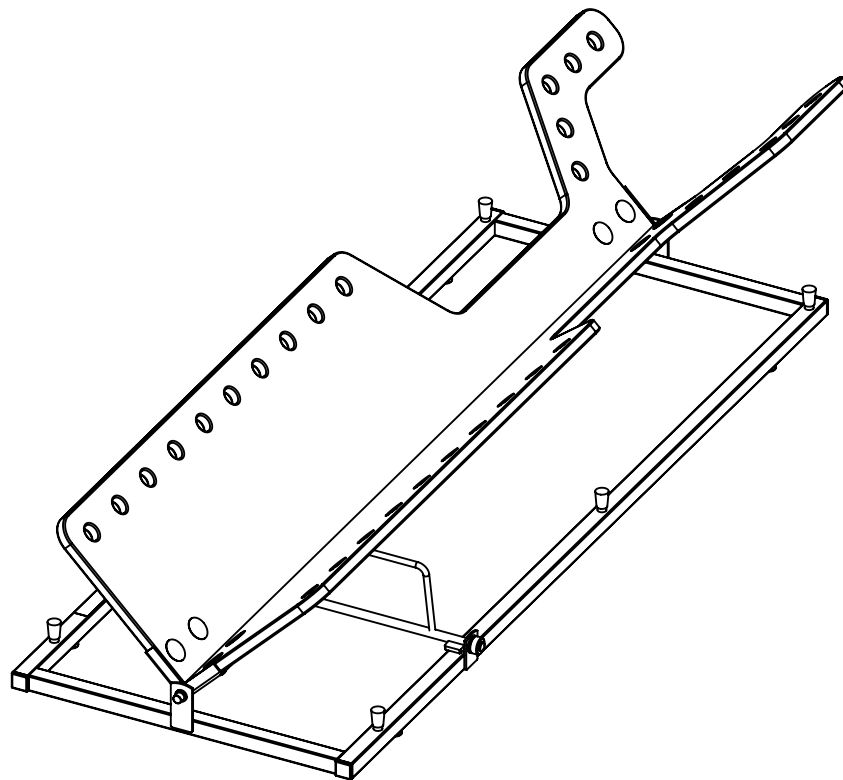


DETAIL D  
SCALE 1 : 2.5

STEP 4

Apply four (4) cover labels over screw holes

STEP 5  
Completed Assembly



TIPPY TABLE ASSEMBLY INSTRUCTIONS